



OPERATOR'S AND PARTS MANUAL

TREE FORK



PALADIN
LIGHT CONSTRUCTION GROUP



The Power of Combined Excellence



SERIAL NUMBER: _____

MODEL NUMBER: _____

Manual Number: OM697
Part Number: 75597
Rev.

TABLE OF CONTENTS

PREFACE	3
SAFETY PRECAUTIONS	
SAFETY STATEMENTS	4
GENERAL SAFETY PRECAUTIONS	4-6
EQUIPMENT SAFETY PRECAUTIONS	7
DECALS	
DECAL PLACEMENT	8
INSTALLATION AND OPERATION	9-11
MAINTENANCE AND SERVICE	
LUBRICATION	12
CYLINDER SEAL REPLACEMENT	13-14
SPECIFICATIONS	
BOLT TORQUE SPECIFICATIONS	15
TREE FORK SPECIFICATIONS	16
LIMITED WARRANTY	17
PARTS	
TREE FORK ASSEMBLY	18-21
HYDRAULIC ASSEMBLIES	22-23
OPTIONAL PRESSURE CONTROL VALVE	24-25
CYLINDER ASSEMBLY	26-27

**THIS PAGE
IS INTENTIONALLY
BLANK**

PREFACE

GENERAL COMMENTS

Congratulations on the purchase of your new BRADCO product! This product was carefully designed and manufactured to give you many years of dependable service. Only minor maintenance (such as cleaning and lubricating) is required to keep it in top working condition. Be sure to observe all maintenance procedures and safety precautions in this manual and on any safety decals located on the product and on any equipment on which the attachment is mounted.

This manual has been designed to help you do a better, safer job. Read this manual carefully and become familiar with its contents.

WARNING!  **Never let anyone operate this unit without reading the "Safety Precautions" and "Operating Instructions" sections of this manual. Always choose hard, level ground to park the vehicle on and set the brake so the unit cannot roll.**

Unless noted otherwise, right and left sides are determined from the operator's control position when facing the attachment.

NOTE: The illustrations and data used in this manual were current (according to the information available to us) at the time of printing, however, we reserve the right to redesign and change the attachment as may be necessary without notification.

BEFORE OPERATION

The primary responsibility for safety with this equipment falls to the operator. Make sure the equipment is operated only by trained individuals that have read and understand this manual. If there is any portion of this manual or function you do not understand, contact your local authorized dealer or the manufacturer.

SAFETY ALERT SYMBOL



This is the "Safety Alert Symbol" used by this industry. This symbol is used to warn of possible injury. Be sure to read all warnings carefully. They are included for your safety and for the safety of others working with you.

SERVICE

When servicing your product, remember to use only manufacturer replacement parts. Substitute parts may not meet the standards required for safe, dependable operation.

To facilitate parts ordering, record the model and serial number of your unit in the space provided on the cover of this manual. This information may be obtained from the identification plate located on the product.

The parts department needs this information to insure that you receive the correct parts for your specific model.

SAFETY STATEMENTS



THIS SYMBOL BY ITSELF OR WITH A WARNING WORD THROUGHOUT THIS MANUAL IS USED TO CALL YOUR ATTENTION TO INSTRUCTIONS INVOLVING YOUR PERSONAL SAFETY OR THE SAFETY OF OTHERS. FAILURE TO FOLLOW THESE INSTRUCTIONS CAN RESULT IN INJURY OR DEATH.



DANGER

THIS SIGNAL WORD IS USED WHERE SERIOUS INJURY OR DEATH WILL RESULT IF THE INSTRUCTIONS ARE NOT FOLLOWED PROPERLY.



WARNING

THIS SIGNAL WORD IS USED WHERE SERIOUS INJURY OR DEATH COULD RESULT IF THE INSTRUCTIONS ARE NOT FOLLOWED PROPERLY.



CAUTION

THIS SIGNAL WORD IS USED WHERE MINOR INJURY COULD RESULT IF THE INSTRUCTIONS ARE NOT FOLLOWED PROPERLY.

NOTICE

NOTICE INDICATES A PROPERTY DAMAGE MESSAGE.

GENERAL SAFETY PRECAUTIONS

WARNING!

READ MANUAL PRIOR TO INSTALLATION



Improper installation, operation, or maintenance of this equipment could result in serious injury or death. Operators and maintenance personnel should read this manual, as well as all manuals related to this equipment and the prime mover thoroughly before beginning installation, operation, or maintenance. **FOLLOW ALL SAFETY INSTRUCTIONS IN THIS MANUAL AND THE PRIME MOVER'S MANUAL(S).**



READ AND UNDERSTAND ALL SAFETY STATEMENTS

Read all safety decals and safety statements in all manuals prior to operating or working on this equipment. Know and obey all OSHA regulations, local laws, and other professional guidelines for your operation. Know and follow good work practices when assembling, maintaining, repairing, mounting, removing, or operating this equipment.



KNOW YOUR EQUIPMENT

Know your equipment's capabilities, dimensions, and operations before operating. Visually inspect your equipment before you start, and never operate equipment that is not in proper working order with all safety devices intact. Check all hardware to ensure it is tight. Make certain that all locking pins, latches, and connection devices are properly installed and secured. Remove and replace any damaged, fatigued, or excessively worn parts. Make certain all safety decals are in place and are legible. Keep decals clean, and replace them if they become worn or hard to read.

GENERAL SAFETY PRECAUTIONS

WARNING!



PROTECT AGAINST FLYING DEBRIS

Always wear proper safety glasses, goggles, or a face shield when driving pins in or out, or when any operation causes dust, flying debris, or any other hazardous material.

WARNING!



LOWER OR SUPPORT RAISED EQUIPMENT

Do not work under raised booms without supporting them. Do not use support material made of concrete blocks, logs, buckets, barrels, or any other material that could suddenly collapse or shift positions. Make sure support material is solid, not decayed, warped, twisted, or tapered. Lower booms to ground level or on blocks. Lower booms and attachments to the ground before leaving the cab or operator's station.

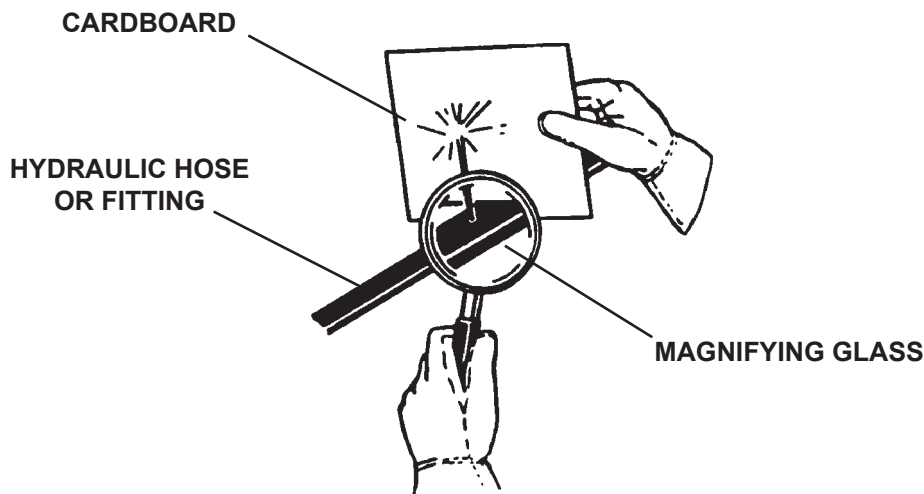
WARNING!



USE CARE WITH HYDRAULIC FLUID PRESSURE

Hydraulic fluid under pressure can penetrate the skin and cause serious injury or death. Hydraulic leaks under pressure may not be visible. Before connecting or disconnecting hydraulic hoses, read your prime mover's operator's manual for detailed instructions on connecting and disconnecting hydraulic hoses or fittings.

- Keep unprotected body parts, such as face, eyes, and arms as far away as possible from a suspected leak. Flesh injected with hydraulic fluid may develop gangrene or other permanent disabilities.
- If injured by injected fluid, see a doctor at once. If your doctor is not familiar with this type of injury, ask him to research it immediately to determine proper treatment.
- Wear safety glasses, protective clothing, and use a piece of cardboard or wood when searching for hydraulic leaks. **DO NOT USE YOUR HANDS!** **SEE ILLUSTRATION.**



GENERAL SAFETY PRECAUTIONS

WARNING!



DO NOT MODIFY MACHINE OR ATTACHMENTS

Modifications may weaken the integrity of the attachment and may impair the function, safety, life, and performance of the attachment. When making repairs, use only the manufacturer's genuine parts, following authorized instructions. Other parts may be substandard in fit and quality. Never modify any ROPS (Roll Over Protection Structure) or FOPS (Falling Object Protective Structure) equipment or device. Any modifications must be authorized in writing by the manufacturer.

WARNING!



SAFELY MAINTAIN AND REPAIR EQUIPMENT

- Do not wear loose clothing or any accessories that can catch in moving parts. If you have long hair, cover or secure it so that it does not become entangled in the equipment.
- Work on a level surface in a well-lit area.
- Use properly grounded electrical outlets and tools.
- Use the correct tools for the job at hand. Make sure they are in good condition for the task required.
- Wear the protective equipment specified by the tool manufacturer.



SAFELY OPERATE EQUIPMENT

Do not operate equipment until you are completely trained by a qualified operator in how to use the controls, know its capabilities, dimensions, and all safety requirements. See your machine's manual for these instructions.

- Keep all step plates, grab bars, pedals, and controls free of dirt, grease, debris, and oil.
- Never allow anyone to be around the equipment when it is operating.
- Do not allow riders on the attachment or the prime mover.
- Do not operate the equipment from anywhere other than the correct operator's position.
- Never leave equipment unattended with the engine running, or with this attachment in a raised position.
- Do not alter or remove any safety feature from the prime mover or this attachment.
- Know your work site safety rules as well as traffic rules and flow. When in doubt on any safety issue, contact your supervisor or safety coordinator for an explanation.

EQUIPMENT SAFETY PRECAUTIONS

WARNING!



KNOW WHERE UTILITIES ARE

Observe overhead electrical and other utility lines. Be sure equipment will clear them. When digging, call your local utilities for location of buried utility lines, gas, water, and sewer, as well as any other hazard you may encounter.



OPERATING THE TREE FORK

- Do not exceed the lifting capacity of your prime mover.
- Operate only from the operator's station.
- When operating on slopes, drive up and down, not across. Avoid steep hillside operation, which could cause the prime mover to overturn.
- Reduce speed when driving over rough terrain, on a slope, or turning, to avoid overturning the vehicle.
- An operator must not use drugs or alcohol, which can change his or her alertness or coordination. An operator taking prescription or over-the-counter drugs should seek medical advice on whether or not he or she can safely operate equipment.
- Before exiting the prime mover, lower the attachment to the ground, turn off the prime mover's engine, remove the key and apply the brakes.
- Never lift heavy material where the combined weight of the attachment and material could exceed the rated lifting capacity of the loader.



TRANSPORTING THE TREE FORK

- Travel only with the attachment in a safe transport position to prevent uncontrolled movement. Drive slowly over rough ground and on slopes.
- When driving on public roads use safety lights, reflectors, Slow Moving Vehicle signs etc., to prevent accidents. Check local government regulations that may affect you.
- Do not drive close to ditches, excavations, etc., cave in could result.
- Do not smoke when refueling the prime mover. Allow room in the gas tank for expansion. Wipe up any spilled fuel. Secure cap tightly when done.



MAINTAINING THE TREE FORK

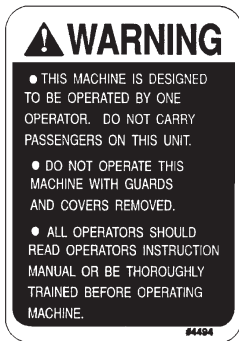
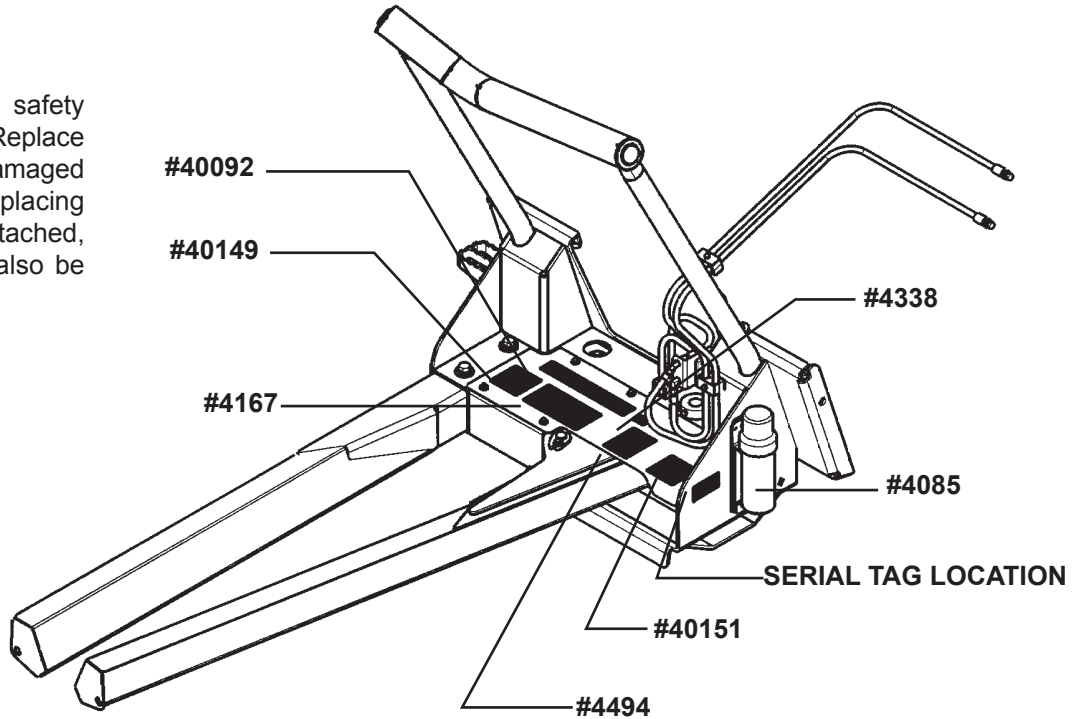
- Before performing maintenance, lower the attachment to the ground, turn off the engine, remove the key and apply the brakes.
- Never perform any work on the attachment unless you are authorized and qualified to do so. Always read the maintenance section in the manual before any repair is made. After completing maintenance or repair, check for correct functioning of the attachment. If not functioning properly, always tag "DO NOT OPERATE" until all problems are corrected.
- Worn, damaged, or illegible safety decals must be replaced. New safety decals can be ordered from BRADCO.
- Never make hydraulic repairs while the system is under pressure. Serious personal injury or death could result.
- Never work under a raised attachment.

DECALS

GENERAL INFORMATION

The diagram on this page shows the location of the decals used on the BRADCO Tree Fork. The decals are identified by their part numbers, with reductions of the actual decals located on the following pages. Use this information to order replacements for lost or damaged decals. Be sure to read all decals before operating the tree fork. They contain information you need to know for both safety and tree fork longevity.

IMPORTANT: Keep all safety signs clean and legible. Replace all missing, illegible, or damaged safety signs. When replacing parts with safety signs attached, the safety signs must also be replaced.



PART #4494
WARNING



PART #4338
MADE IN USA



PART #4167
NO STEP



PART #40149
DANGER



PART #40151
WARNING



PART #4084
GREASE 8 HOURS

REPLACING SAFETY SIGNS: Clean the area of application with nonflammable solvent, then wash the same area with soap and water. Allow the surface to fully dry. Remove the backing from the safety sign, exposing the adhesive surface. Apply the safety sign to the position shown in the diagram above and smooth out any bubbles.

INSTALLATION AND OPERATION

ATTACHING

Your attachment was shipped complete with universal skid-steer mounting and the appropriate hydraulic kit for your specific unit.

There is an optional pressure control valve that regulates the arm closing pressure that is also installed if purchased at the time of ordering.

Install the Tree Fork by following your power unit operator's manual for installing an attachment.

WARNING! To Avoid Serious Personal Injury, make sure the Tree Fork is securely latched to the attachment mechanism of your unit. Failure to do so could result in separation of the attachment from the unit.



Connect the hydraulic quick couplers to the auxiliary hydraulics, and route the hoses in such a fashion as to prevent chafing and pinching.

Start engine and slowly cycle the cylinder several times to purge the system of air, and check for proper hydraulic connection, hose routing, and hose length.

Check the attachment for proper assembly, installation, and hydraulic leaks.

DETACHING

On firm level ground, lower the boom arms completely down on the frame until the attachment is level and approximately 2" off the ground.

Turn off the engine. Move the control levers back and forth to relieve pressure in line. Disconnect couplers.

NOTE: Connect couplers together or install caps, to prevent contaminants from entering the hydraulic system.

Follow your power unit operator's manual for detaching (removing) an attachment.

NOTE: Frequent lubrication of grease fittings at the end of the cylinder and pivot points with a multi-purpose grease will greatly increase life of the product.

OPERATION

Simplicity of operation is one of the key features of the BRADCO Tree Fork. The Tree Fork mounts to the attachment mechanism of your loader, therefore thorough knowledge of the loader controls is necessary for attachment operation. Read the loader operator's manual for information regarding operation before attempting to use this attachment

Raising & Lowering The Attachment is accomplished by raising and lowering the loader arms.

Opening & Closing The Arms is accomplished by activating the auxiliary hydraulics.

CAUTION! Be aware of any overhead power or telephone lines, that the raised attachment / loader arms, tree limbs, etc., could come into contact with. Contact with electrical lines could cause electrocution and death.



Take notice of any water or gas shut off, stumps, sidewalk edges etc., that the lowered attachment could come into contact with.

INSTALLATION AND OPERATION

BEFORE OPERATING THE ATTACHMENT

1. Clear work area of all bystanders, pets, and livestock.
2. Be sure all bolts, nuts, and pivot pins are tight and covers are in place and secure.

OPERATING TIPS

The tree fork is a great attachment for transporting up to 44" balled and container grown trees and shrubs along with rocks and boulders.

To pick up a tree or shrub, open the forks to a width larger than the tree ball or container. Drive the unit forward to position the tree between the forks, and gently angle the forks inward until they contact the tree ball or container. Raise the loader arms to lift the tree.

1. Position the tree as close as possible to the fork frame, to maximize lifting capability.
2. Pick up the tree near the top of the ball for easier placement in a hole and better stability.
3. Pick up multiple 20"- 40" tree balls near the bottom of the ball for transporting.
4. The fork can be used to lift and transport large boulders or rocks.
5. When transporting a load, keep the forks as close to the ground as possible.

NOTE: Optional pressure control valve kit is available to limit the arm closing pressure and therefore reduce the possibility of damage to the ball or containers.

DANGER! NEVER EXCEED THE RATED LIFT CAPACITY OF YOUR LOADER.



OPERATION

When operating the tree fork, smoothness of technique should be strived for at all times. Smoothness of operation along with determining the amount of pressure required to lift a tree ball or container without damaging it or dropping it comes with experience and practice.

To pick up a tree or shrub:

1. Angle the forks to a width larger than the tree ball or container.
2. Drive the unit forward to position the tree between the forks.
 - a. Place the tree as close to the frame as possible for transporting. This will keep the weight of the tree close to the frame and increase the operating capacity. Carrying the tree close will also minimize the bouncing of the tree ball during transporting and therefore minimize the possible damage to the rootball.
 - b. Place the tree at the end of the arms for tree placement only. This will assist in placing the tree ball into a hole or for precise placement of the tree on a trailer. Do not transport a tree at the end of the arms, this will extend the center of gravity, decreasing the operating capacity and increase the amount of bouncing and jarring to the tree causing possible damage to the rootball.

10819 10-31-06

INSTALLATION AND OPERATION

3. Gently angle the forks inward until they contact the tree ball or container. Raise the loader arms to lift the tree.

NOTE: If the tree appears to be unstable, lower the unit to the ground and either increase pressure on the load or open the arms and reposition.

OPERATING WITH THE OPTIONAL PRESSURE CONTROL VALVE

The optional pressure control valve can be adjusted to increase and decrease the amount of pressure the arms apply to the load. The pressure must be enough to securely hold the tree without damaging the burlap bag, rootball or container.

STORAGE

1. Clean the unit thoroughly, removing all mud, dirt and grease.
2. Inspect for visible signs of wear, breakage or damage. Order any parts required and make the necessary repairs, to avoid delays when starting next season.
3. Tighten loose nuts, capscrews, and hydraulic connections.
4. Connect or cap hydraulic couplers to protect against contaminants.
5. Touch up all unpainted surfaces with paint to prevent rust.
6. Coat the exposed portions of the cylinder rod with grease.
7. Store the unit in a dry and protected place. Leaving the unit outside will materially shorten its life.

MAINTENANCE AND SERVICE

GENERAL INFORMATION

Regular maintenance is the key to long equipment life and safe operation. Maintenance requirements have been reduced to an absolute minimum. However, it is very important that these maintenance functions be performed as described below.

LUBRICATION

Lubricate all grease fittings with a multi-purpose grease.

DAILY

Physically check all pins, bushings, cotter pins, nuts, etc., for signs of wear or loose fit. Tighten as required, replace where necessary.
Clean equipment of all dirt, oil, and excess grease.
Check for missing or illegible Safety / Warning Decals.
Check all fittings and hydraulic hoses for leaks.

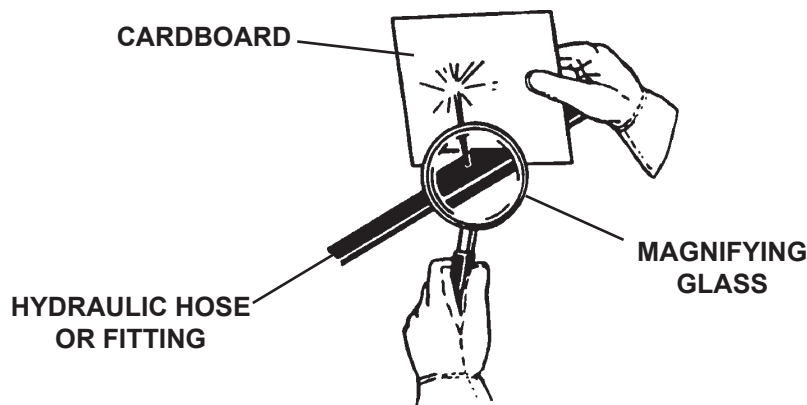
WARNING! Escaping hydraulic / diesel fluid under pressure can penetrate the skin causing serious injury. Fluid escaping from a very small hole can be almost invisible. Use a piece of cardboard or wood, rather than hands to search for suspected leaks.



Keep unprotected body parts, such as face, eyes, and arms as far away as possible from a suspected leak. Flesh injected with hydraulic fluid may develop gangrene or other permanent disabilities. If injured by injected fluid, see a doctor at once.

Stop the engine and relieve pressure before connecting or disconnecting lines.

Tighten all connections before starting engine or pressurizing lines.



MAINTENANCE AND SERVICE

CYLINDER SEAL REPLACEMENT

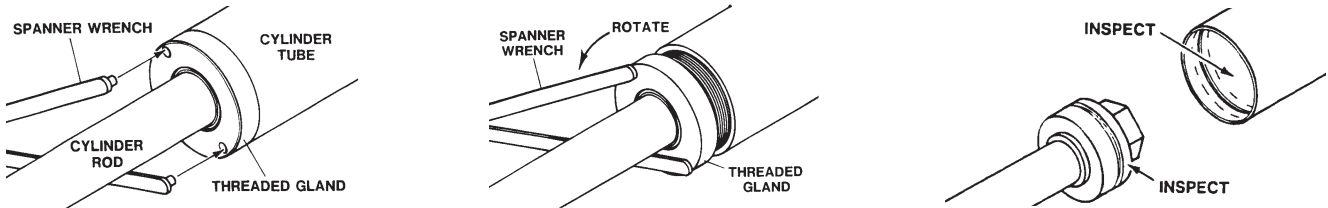
The following information is provided to assist you in the event you should need to repair or rebuild a hydraulic cylinder. When working on hydraulic cylinders, make sure that the work area and tools are clean and free of dirt to prevent contamination of the hydraulic system and damage to the hydraulic cylinders. Always protect the active part of the cylinder rod (the chrome section). Nicks or scratches on the surface of the rod could result in cylinder failure. Clean all parts thoroughly with a cleaning solvent before reassembly.

DISASSEMBLY PROCEDURE

IMPORTANT: Do not contact the active surface of the cylinder rod with the vise. Damage to the rod could result.

THREADED TYPE GLAND

1. Rotate the gland with a spanner wrench counterclockwise until the gland is free of the cylinder tube.
2. Pull the cylinder rod from the cylinder tube and inspect the piston and the bore of the cylinder tube for deep scratches or galling. If damaged, the piston AND the cylinder tube must be replaced.



3. Remove the hex nut, piston, flat washer or spacer tube (if so equipped), and gland from the cylinder rod. If the cylinder rod is rusty, scratched, or bent, it must be replaced.
4. Remove and discard all the old seals.

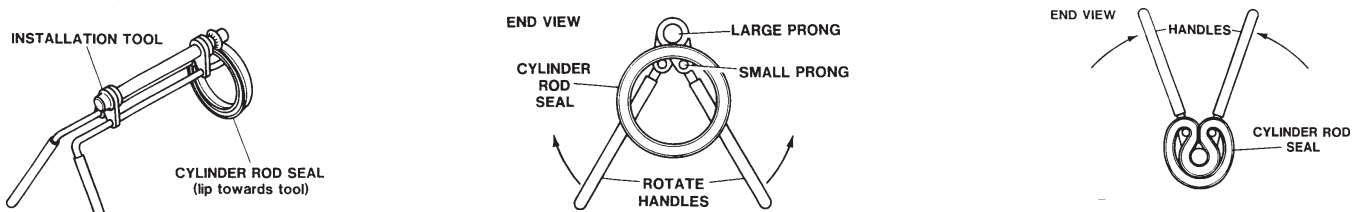


ASSEMBLY PROCEDURE

IMPORTANT: Replace all seals even if they do not appear to be damaged. Failure to replace all seals may result in premature cylinder failure. **NOTE:** Seal kits will service most cylinders of similar bore size and rod diameter.

1. Install the cylinder rod seal in the gland first. Be careful not to damage the seal in the process, as it is somewhat difficult to install.

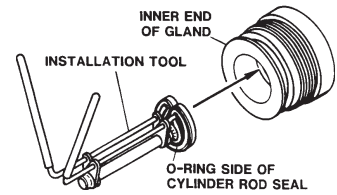
NOTE: A special installation tool (Part #65349) is available to help with installing the seal. Simply fit the end of the tool over the seal so that the large prong of the tool is on the outside of the seal, and the two smaller prongs on the inside. The lip of the seal should be facing towards the tool. Rotate the handles on the tool around to wrap the seal around the end of the tool.



10356 10-13-05

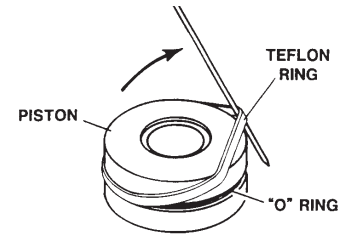
MAINTENANCE AND SERVICE

Now insert the seal into the gland from the inner end. Position the seal in its groove, and release and remove the tool. Press the seal into its seat the rest of the way by hand.



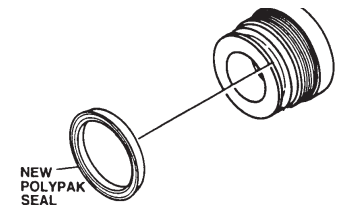
- Install the new piston ring, rod wiper, O-rings and backup washers, if applicable, on the piston.

Be careful not to damage the seals. Caution must be used when installing the piston ring. The ring must be stretched carefully over the piston with a smooth, round, pointed tool.



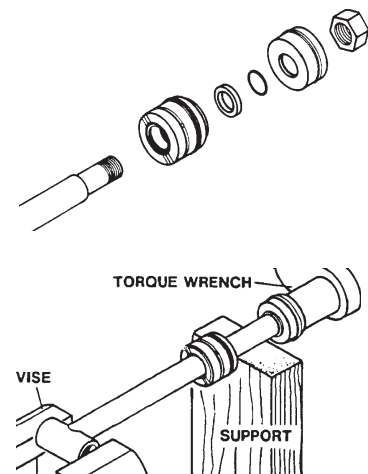
- After installing the rod seal inside the gland, as shown in step #1, install the external seal.

NOTE: Threaded glands may have been equipped with a separate O-ring and backup washer system or a polypak (all in one) type seal. Current seal kits contain a polypak (all in one) type seal to replace the discarded seal types on ALL THREADED GLANDS.



- Slide the gland onto the cylinder rod, being careful not to damage the rod wiper. Then install the spacer, or flat washer (if so equipped), small o-ring, piston, and hex nut onto the end of the cylinder rod.
- Secure the cylinder rod (mounting end) in a vise with a support at its center. Torque the nut to the amount shown for the thread diameter of the cylinder rod (see chart).

Thread Diameter	POUNDS - FEET
7/8"	150-200
*1"	230-325
1-1/8"	350-480
1-1/4"	490-670
1-3/8"	670-900
* 1" Thread Diameter WITH 1.25" Rod Diameter Min. 230 ft. lbs. Max. 250 ft. lbs.	



IMPORTANT: Do not contact the active surface of the cylinder rod with the vise. Damage to the rod could result.

- Apply a lubricant (such as Lubriplate #105) to the piston and teflon ring. Insert the cylinder rod assembly into the cylinder tube.

IMPORTANT: Ensure that the piston ring fits squarely into the cylinder tube and piston groove, otherwise the ring may be damaged and a leak will occur.

- Use a spanner wrench to rotate the gland clockwise into the cylinder. Continue to rotate the gland with the spanner wrench until it is tight.

WARNING! Cylinders serviced in the field are to be tested for leakage prior to the attachment being placed in work. Failure to test rebuilt cylinders could result in damage to the cylinder and/or the attachment, cause severe personal injury or even death.



BOLT TORQUE

BOLT TORQUE SPECIFICATIONS

GENERAL TORQUE SPECIFICATION TABLE

Use the following torques when special torques are not given. These values apply to fasteners as received from suppliers, dry, or when lubricated with normal engine oil. They do not apply if special graphited or moly disulphide greases or other extreme pressure lubricants are used. This applies to both UNF and UNC threads. Remember to always use grade five or better when replacing bolts.

IMPORTANT: On all PLATED GRADE 8 bolts, reduce torque 15% from listed bolt torque specification.

SAE Grade No.		2				5				8*			
Bolt head identification marks as per grade. NOTE: Manufacturing Marks Will Vary													
		TORQUE		TORQUE		TORQUE		TORQUE		TORQUE		TORQUE	
Bolt Size		Pounds Feet		Newton-Meters		Pounds Feet		Newton-Meters		Pounds Feet		Newton-Meters	
Inches	Millimeters	Min.	Max.	Min.	Max.	Min.	Max.	Min.	Max.	Min.	Max.	Min.	Max.
1/4	6.35	5	6	7	8	9	11	12	15	12	15	16	20
5/16	7.94	10	12	14	16	17	20.5	23	28	24	29	33	39
3/8	9.53	20	23	27	31	35	42	48	57	45	54	61	73
7/16	11.11	30	35	41	47	54	64	73	87	70	84	95	114
1/2	12.70	45	52	61	70	80	96	109	130	110	132	149	179
9/16	14.29	65	75	88	102	110	132	149	179	160	192	217	260
5/8	15.88	95	105	129	142	150	180	203	244	220	264	298	358
3/4	19.05	150	185	203	251	270	324	366	439	380	456	515	618
7/8	22.23	160	200	217	271	400	480	542	651	600	720	814	976
1	25.40	250	300	339	406	580	696	787	944	900	1080	1220	1464
1-1/8	25.58	-	-	-	-	800	880	1085	1193	1280	1440	1736	1953
1-1/4	31.75	-	-	-	-	1120	1240	1519	1681	1820	2000	2468	2712
1-3/8	34.93	-	-	-	-	1460	1680	1980	2278	2380	2720	3227	3688
1-1/2	38.10	-	-	-	-	1940	2200	2631	2983	3160	3560	4285	4827

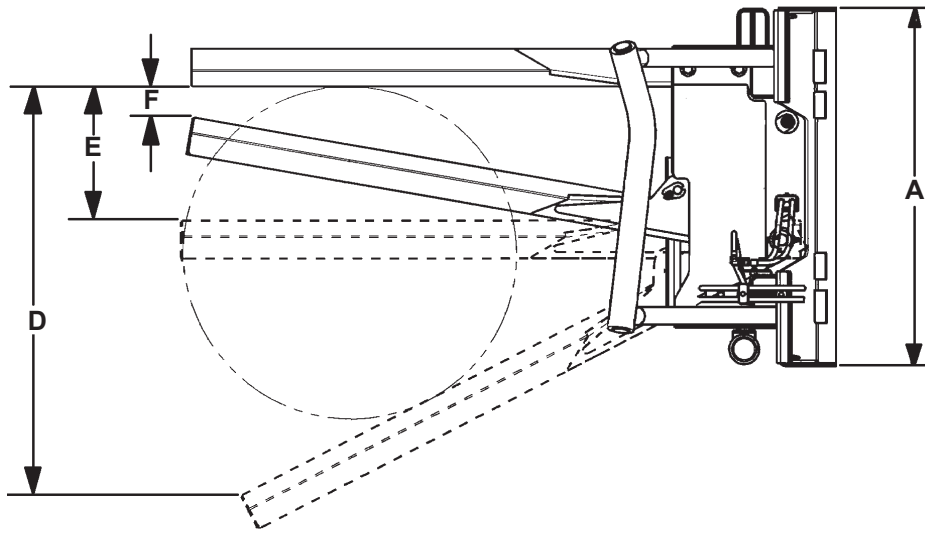
* Thick Nuts must be used with Grade 8 bolts

METRIC BOLT TORQUE SPECIFICATIONS

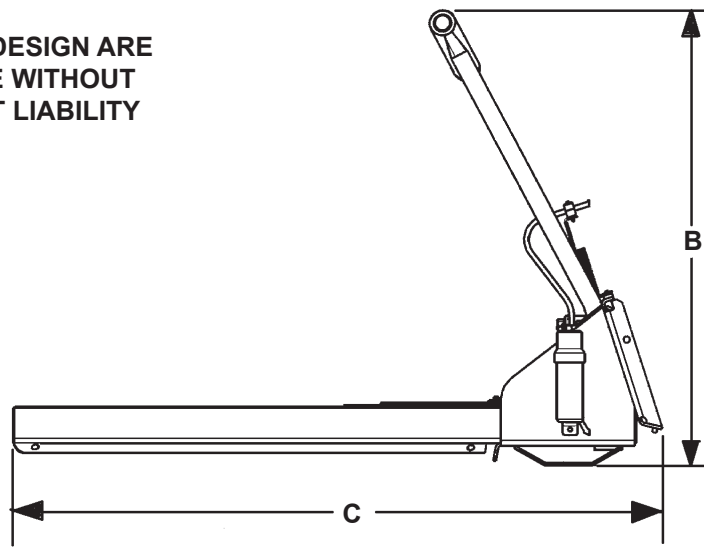
Size of Screw	Grade No.	Coarse Thread			Fine Thread		
		Pitch (mm)	Pounds Feet	Newton-Meters	Pitch (mm)	Pounds Feet	Newton-Meters
M6	5.6	1.0	3.6-5.8	4.9-7.9	-	-	-
	8.8		5.8-4	7.9-12.7		-	-
	10.9		7.2-10	9.8-13.6		-	-
M8	5.6	1.25	7.2-14	9.8-19	1.0	12-17	16.3-23
	8.8		17-22	23-29.8		19-27	25.7-36.6
	10.9		20-26	27.1-35.2		22-31	29.8-42
M10	5.6	1.5	20-25	27.1-33.9	1.25	20-29	27.1-39.3
	8.8		34-40	46.1-54.2		35-47	47.4-63.7
	10.9		38-46	51.5-62.3		40-52	54.2-70.5
M12	5.6	1.75	28-34	37.9-46.1	1.25	31-41	42-55.6
	8.8		51-59	69.1-79.9		56-68	75.9-92.1
	10.9		57-66	77.2-89.4		62-75	84-101.6
M14	5.6	2.0	49-56	66.4-75.9	1.5	52-64	70.5-86.7
	8.8		81-93	109.8-126		90-106	122-143.6
	10.9		96-109	130.1-147.7		107-124	145-168
M16	5.6	2.0	67-77	90.8-104.3	1.5	69-83	93.5-112.5
	8.8		116-130	157.2-176.2		120-138	162.6-187
	10.9		129-145	174.8-196.5		140-158	189.7-214.1
M18	5.6	2.0	88-100	119.2-136	1.5	100-117	136-158.5
	8.8		150-168	203.3-227.6		177-199	239.8-269.6
	10.9		175-194	237.1-262.9		202-231	273.7-313
M20	5.6	2.5	108-130	146.3-176.2	1.5	132-150	178.9-203.3
	8.8		186-205	252-277.8		206-242	279.1-327.9
	10.9		213-249	288.6-337.4		246-289	333.3-391.6

10360 6-8-95-2

SPECIFICATIONS



**SPECIFICATIONS AND DESIGN ARE
SUBJECT TO CHANGE WITHOUT
NOTICE AND WITHOUT LIABILITY
THEREFOR.**



DESCRIPTION		
A.	Overall Width	47.46"
B.	Overall Height	60.65"
C.	Overall Length	86.00"
D.	Fork Opening - Maximum at Tips.....	54.00"
E.	Fork Opening - Parallel.....	17.75"
F.	Fork Opening - Minimum at Tips.....	4.00"
	Maximum Root Ball.....	44.00"
	Weight.....	667#
	Recommend Flow.....	2-7 GPM
	Maximum Operating Pressure	3000 PSI

Limited Warranty

Except for the Excluded Products as described below, all new products are warranted to be free from defects in material and/or workmanship during the Warranty Period, in accordance with and subject to the terms and conditions of this Limited Warranty.

1. Excluded Products. The following products are excluded from this Limited Warranty:

(a) Any cable, part that engages with the ground (i.e. sprockets), digging chain, bearing, teeth, tamping and/or demolition head, blade cutting edge, pilot bit, auger teeth and broom brush that either constitutes or is part of a product.

(b) Any product, merchandise or component that, in the opinion of Paladin Light Construction¹, has been (i) misused; (ii) modified in any unauthorized manner; (iii) altered; (iv) damaged; (v) involved in an accident; or (vi) repaired using parts not obtained through Paladin Light Construction.

2. Warranty Period. The Limited Warranty is provided only to those defects that occur during the Warranty Period, which is the period that begins on the first to occur of: (i) the date of initial purchase by an end-user, (ii) the date the product is first leased or rented, or (iii) the date that is six (6) months after the date of shipment by Paladin Light Construction as evidenced by the invoiced shipment date (the "Commencement Date") and ends on the date that is twenty-four (24) months after the Commencement Date.

3. Terms and Conditions of Limited Warranty. The following terms and conditions apply to the Limited Warranty hereby provided:

(a) Option to Repair or Replace. Paladin Light Construction shall have the option to repair or replace the product.

(b) Timely Repair and Notice. In order to obtain the Limited Warranty, (i) the product must be repaired within thirty (30) days from the date of failure, and (ii) a claim under the warranty must be submitted to Paladin Light Construction in writing within thirty (30) days from the date of repair.

(c) Return of Defective Part or Product. If requested by Paladin Light Construction, the alleged defective part or product shall be shipped to Paladin Light Construction at its manufacturing facility or other location specified by Paladin Light Construction, with freight PRE-PAID by the claimant, to allow Paladin Light Construction to inspect the part or product.

Claims that fail to comply with any of the above terms and conditions shall be denied.

LIMITATIONS AND EXCLUSIONS.

THIS LIMITED WARRANTY IS IN LIEU OF ALL OTHER WARRANTIES, EXPRESS OR IMPLIED, INCLUDING WITHOUT LIMITATION THE WARRANTIES OF MERCHANTABILITY, FITNESS FOR A PARTICULAR PURPOSE AND ANY WARRANTY BASED ON A COURSE OF DEALING OR USAGE OF TRADE.

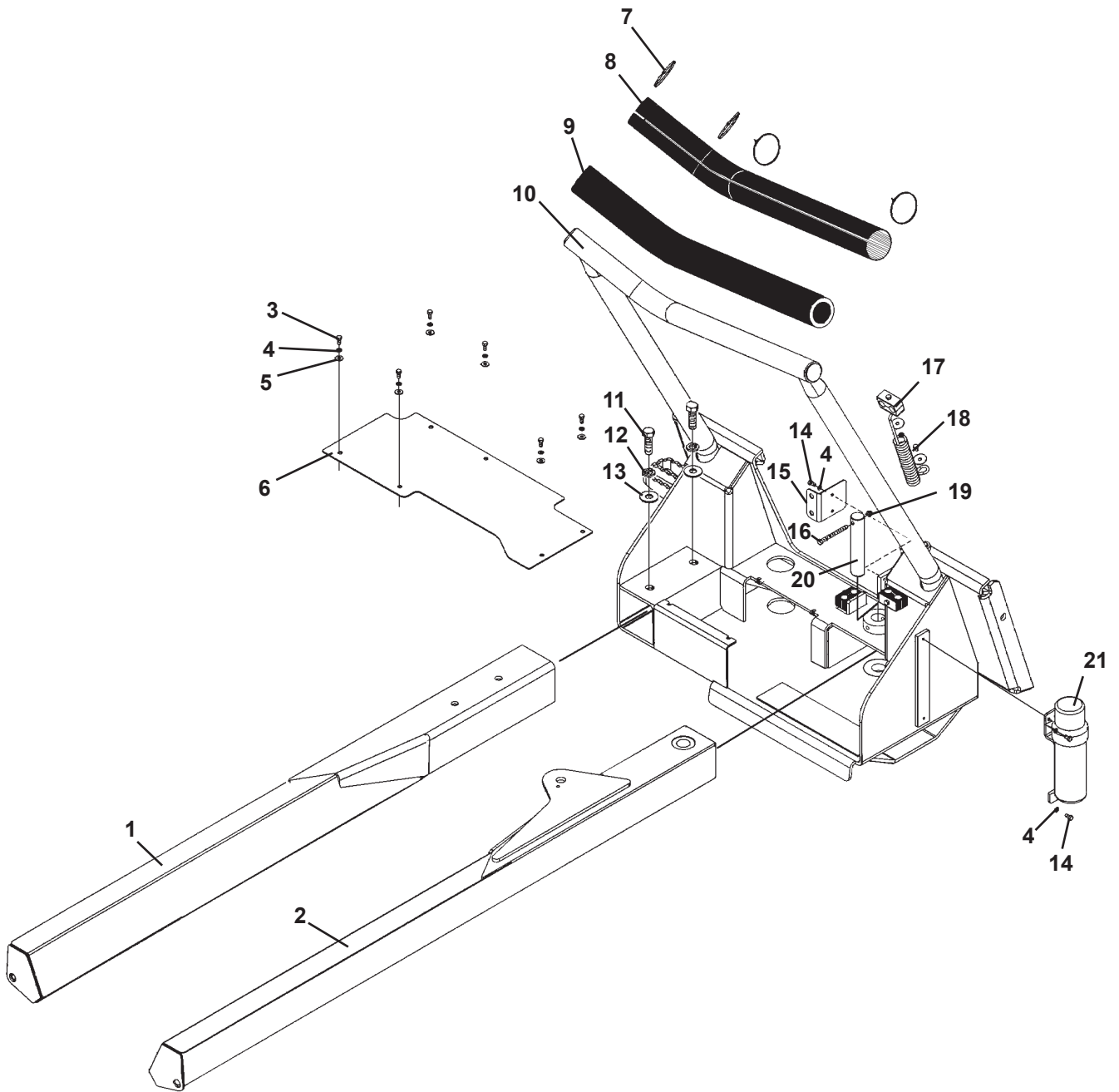
IN NO EVENT SHALL PALADIN LIGHT CONSTRUCTION BE LIABLE FOR CONSEQUENTIAL OR SPECIAL DAMAGES.

IN NO EVENT SHALL PALADIN LIGHT CONSTRUCTION BE LIABLE FOR ANY LOSS OR CLAIM IN AN AMOUNT IN EXCESS OF THE PURCHASE PRICE, OR, AT THE OPTION OF PALADIN LIGHT CONSTRUCTION, THE REPAIR OR REPLACEMENT, OF THE PARTICULAR PRODUCT ON WHICH ANY CLAIM OF LOSS OR DAMAGE IS BASED. THIS LIMITATION OF LIABILITY APPLIES IRRESPECTIVE OF WHETHER THE CLAIM IS BASED ON BREACH OF CONTRACT, BREACH OF WARRANTY, NEGLIGENCE OR OTHER CAUSE AND WHETHER THE ALLEGED DEFECT IS DISCOVERABLE OR LATENT.

¹Attachment Technologies Inc., a subsidiary of Paladin Brands Holding, Inc. (PBHI) is referred to herein as Paladin Light Construction.

TREE FORK ASSEMBLY

ASSEMBLY #101502



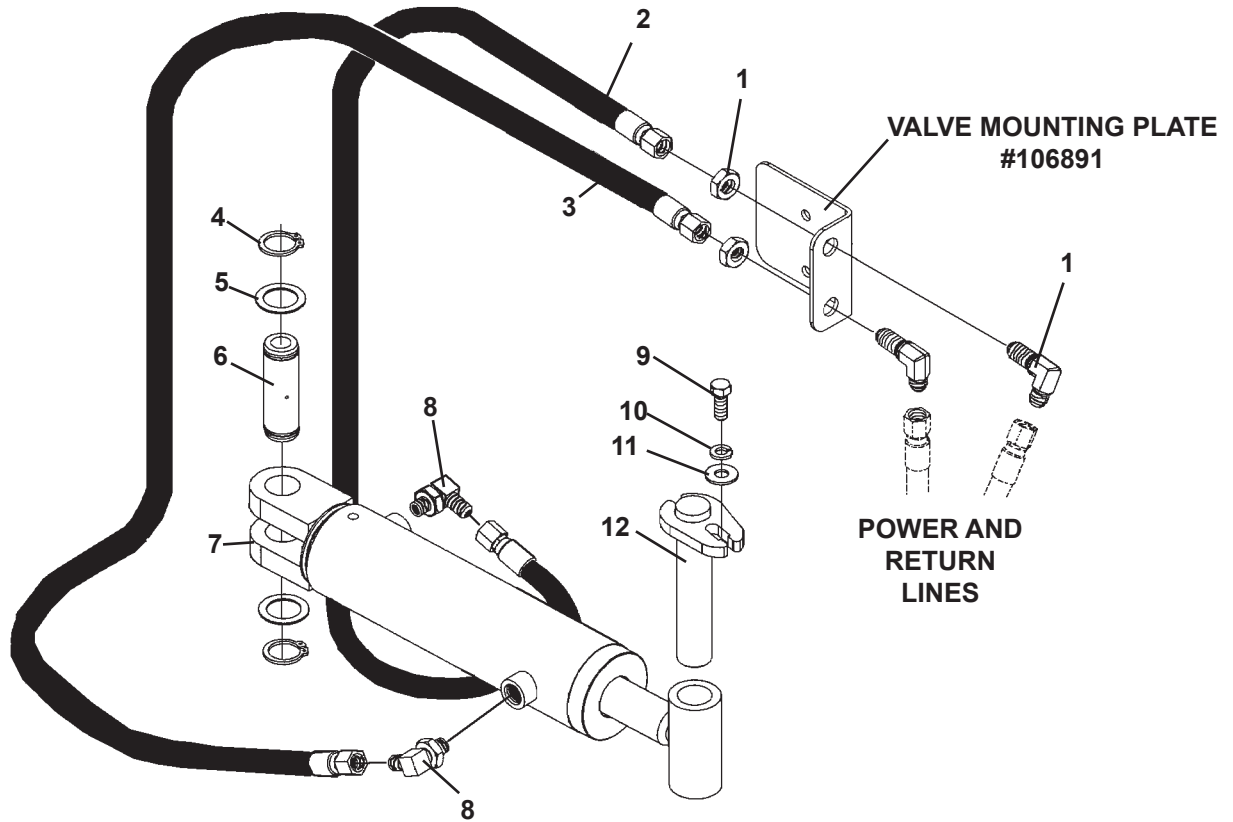
TREE FORK ASSEMBLY

ASSEMBLY #101502

<u>ITEM</u>	<u>REQ'D</u>	<u>PART NO.</u>	<u>DESCRIPTION</u>
1	1	101503	Right Fork
2	1	101534	Left Fork
3	6	1021	.31" UNC X .75" Hex Capscrew
4	10	1502	.31" Lock Washer
5	6	1524	.31" SAE Flat Washer
6	1	101525	Cover
7	6	7104	Hose Tie
8	1	101997	Nylon Sleeve
9	1	101996	Pipe Cushion
10	1	101535	Tree Fork Frame
11	2	1141	.75" UNC X 2.50" Hex Capscrew
12	2	1507	.75" Lock Washer
13	2	1518	.75" Flat Washer
14	4	10134	.31" UNC X .62" Hex Capscrew
15	1	106891	Valve Mounting Plate
16	1	1055	.38" UNC X 4.00" Hex Capscrew
17	1	103178	Hose Clamp Spring Assembly
18	1	1020	.31" UNC X .50" UNC Hex Nut
19	1	1837	.38" UNC Deformed Lock Nut
20	1	101541	Pivot Pin
	1	6616	Grease Fitting
21	1	25453	Manual Tube

TREE FORK ASSEMBLY

ASSEMBLY #101502



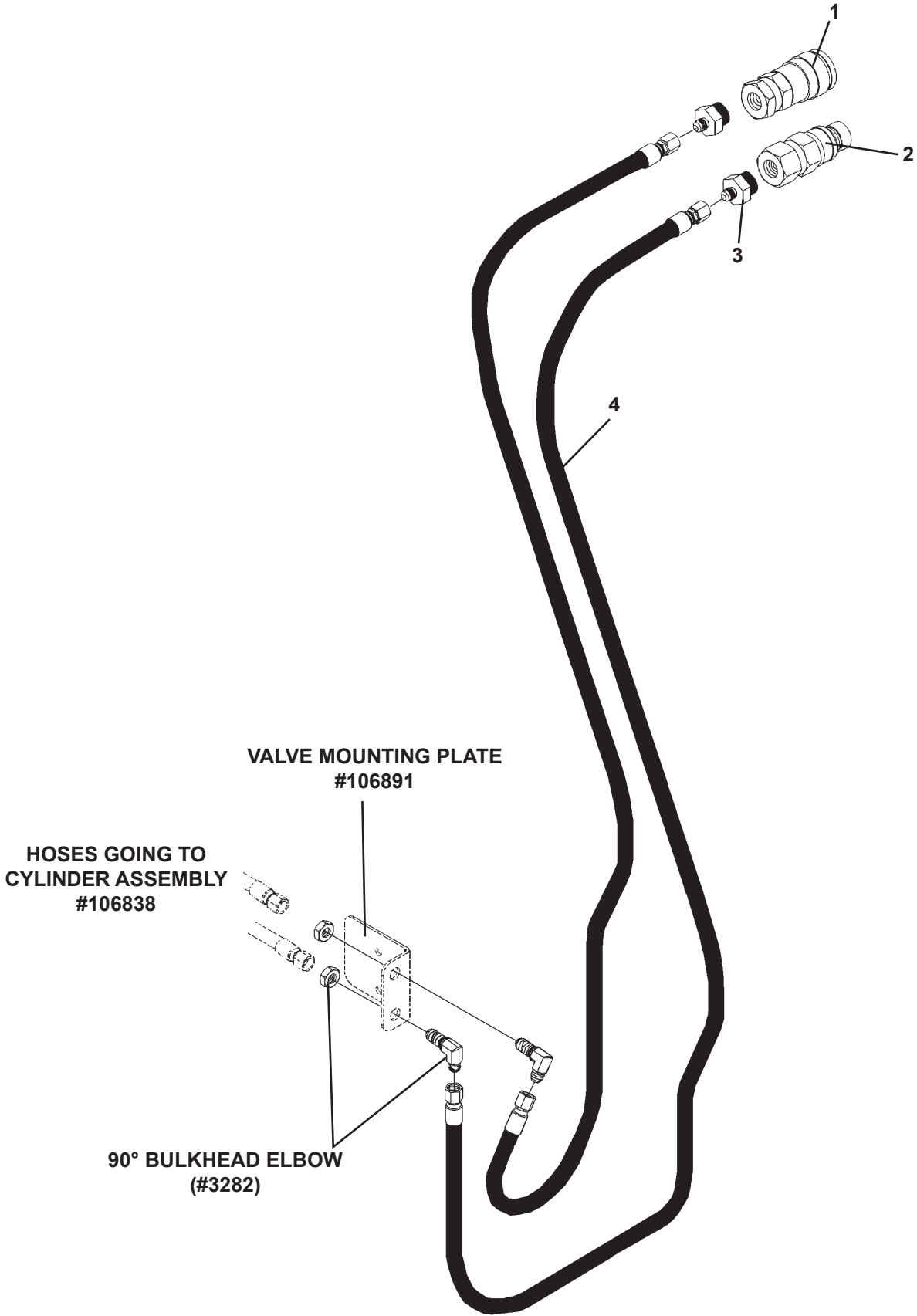
TREE FORK ASSEMBLY

ASSEMBLY #101502

<u>ITEM</u>	<u>REQ'D</u>	<u>PART NO.</u>	<u>DESCRIPTION</u>
1	2	3282	90° Bulkhead Elbow (Includes Nut)
2	1	38445	Hose .25" x 52" 6FJX-6FJX
3	1	38444	Hose .25" x 35" 6FJX-6FJX
4	2	1738	Snap Ring
5	2	61079	Thrust Washer
6	1	18997	Pivot Pin
	1	6616	Grease Fitting
7	1	106838	Cylinder Assembly
	1	6616	Grease Fitting
8	2	3434	90° Elbow 6MBo-6MJ
9	1	1043	.38" UNC X 1.00" Hex Capscrew
10	1	1503	.38" Lock Washer
11	1	1514	.38" Flat Washer
12	1	107404	Pivot Pin

10808 10-20-06

HYDRAULIC ASSEMBLIES



HYDRAULIC ASSEMBLIES

HYDRAULIC KIT #103577

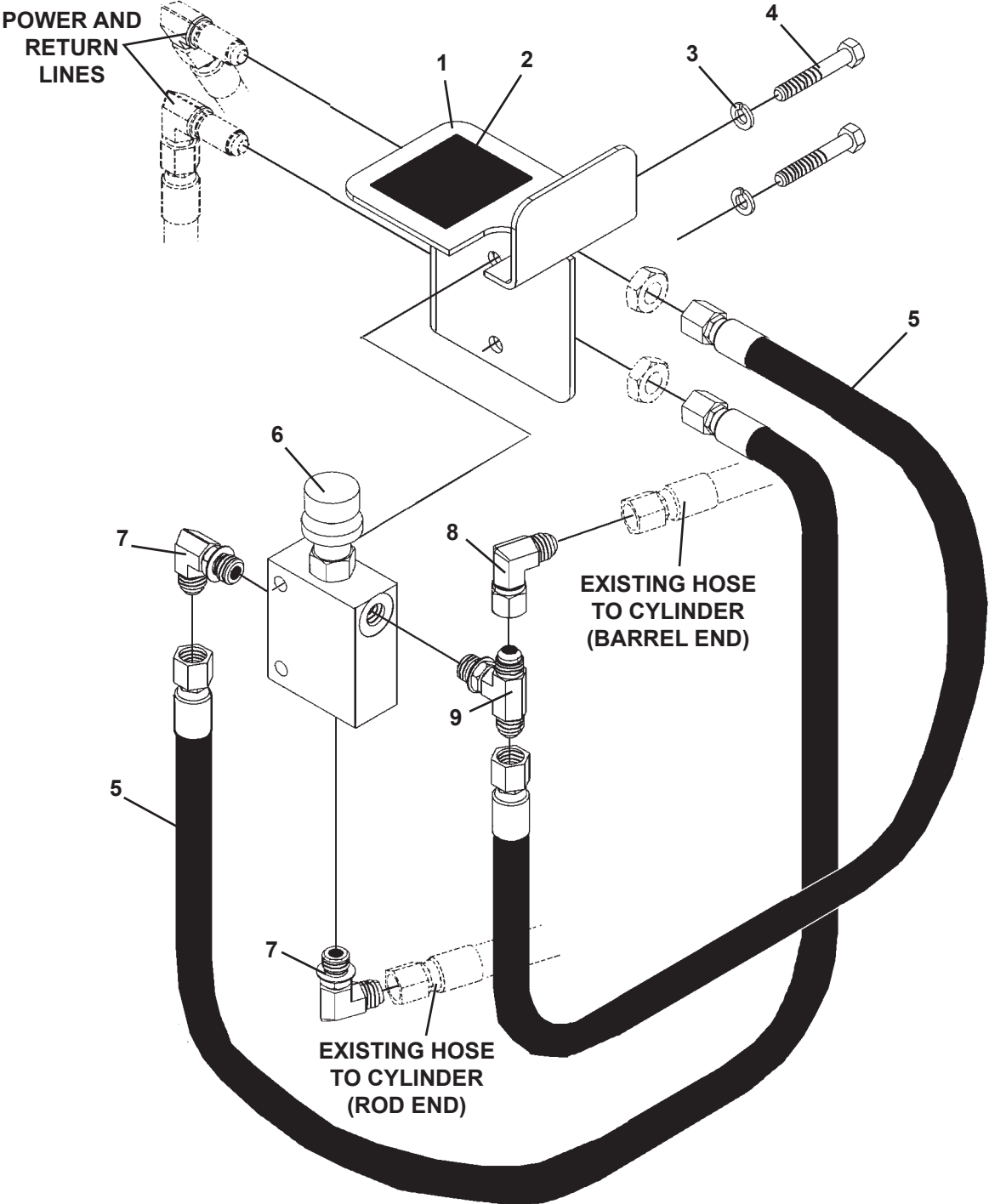
<u>ITEM</u>	<u>REQ'D</u>	<u>PART NO.</u>	<u>DESCRIPTION</u>
1	1	22518	Female Coupler .50" Body 12FBo
2	1	19632	Male Coupler .50" Body 12FBo
3	2	30201	Straight Connector 12MBo-6MJ
4	2	37750	Hose Assembly .25" X 66" 6FJX-6FJX

HYDRAULIC KIT #103603

<u>ITEM</u>	<u>REQ'D</u>	<u>PART NO.</u>	<u>DESCRIPTION</u>
1	1	22518	Female Coupler .50" Body 12FBo
2	1	19632	Male Coupler .50" Body 12FBo
3	2	30201	Straight Connector 12MBo-6MJ
4	2	38327	Hose Assembly .25" X 94" 6FJX-6FJX

OPTIONAL PRESSURE CONTROL VALVE

CONTROL VALVE ASSEMBLY #107016



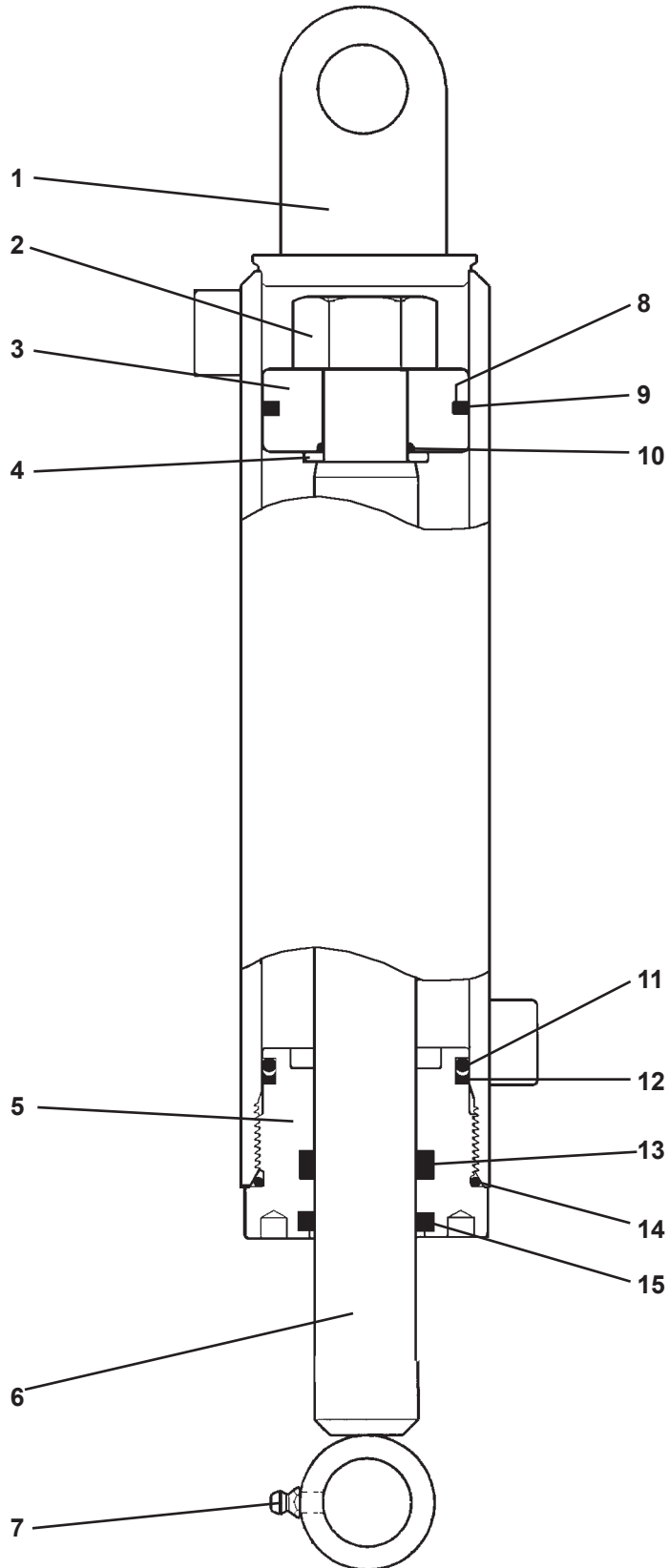
OPTIONAL PRESSURE CONTROL VALVE

CONTROL VALVE ASSEMBLY #107016

<u>ITEM</u>	<u>REQ'D</u>	<u>PART NO.</u>	<u>DESCRIPTION</u>
1	1	106839	Valve Cover
2	1	40928	Operational Decal
3	2	1502	.31" Lock Washer
4	2	1026	.31" UNC X 2.00" Hex Capscrew
5	2	37732	Hose Assembly .25" X 26" 6FJX-6FJX
6	1	106837	Pressure Reducing Valve
7	2	3434	90° Elbow 6MBo-6MJ
8	1	3430	90° Elbow 6MJ-6FJX
9	1	30137	Tee 6MBo-6MJ-6MJ

CYLINDER ASSEMBLY

ASSEMBLY #106838



10815 10-30-06

CYLINDER ASSEMBLY

ASSEMBLY #106838

<u>ITEM</u>	<u>REQ'D</u>	<u>PART NO.</u>	<u>DESCRIPTION</u>
1	1	106884	Cylinder Tube
2	1	1483	Hex Nut (Torque to 230-250 ft. lbs.)
3	1	50252	Piston
4	1	5421	Washer
5	1	77458	Cylinder Gland
6	1	106886	Cylinder Rod
7	1	6616	Grease Fitting
8	1	4645*	O'Ring
9	1	4644*	Piston Ring
10	1	4641*	O'Ring
11	1	4509*	O'Ring
12	1	4510*	Back-Up Washer
13	1	45219*	Poly-Pak Seal
14	1	45250*	O'Ring
15	1	45389*	Rod Wiper

NOTE: Seal Kit #45617 includes all parts marked with an asterisk (*). Parts are not sold separately.